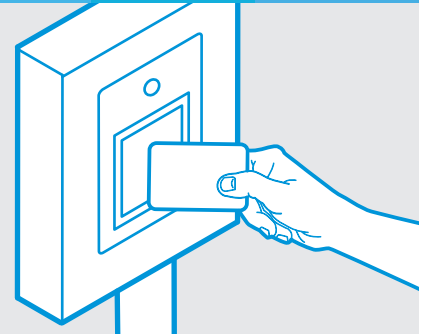


# AT 06

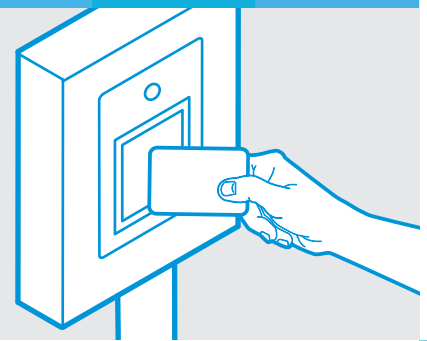
The vehicle weighing system based on card readers



 GS SOFTWARE

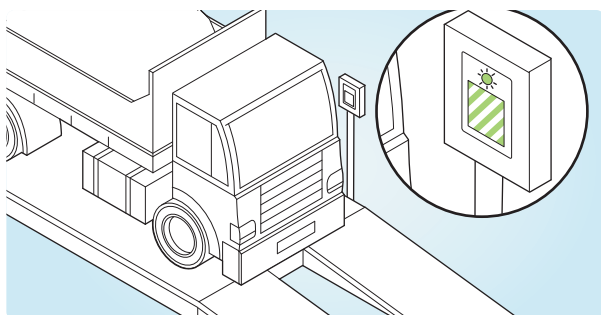
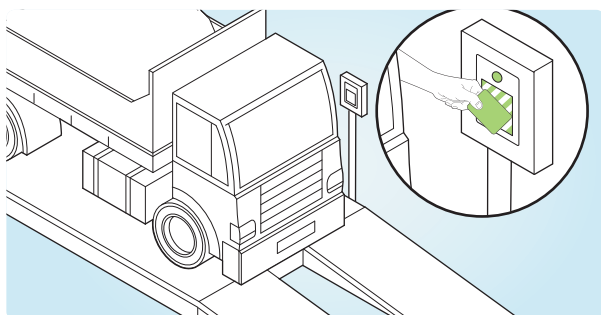
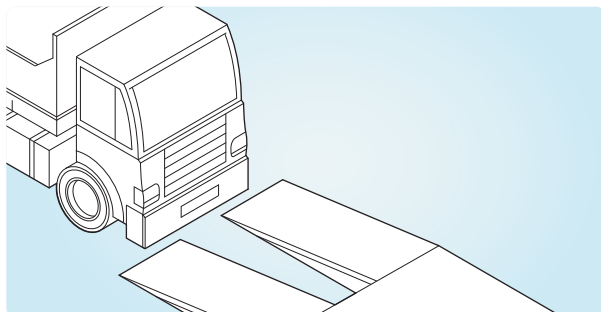
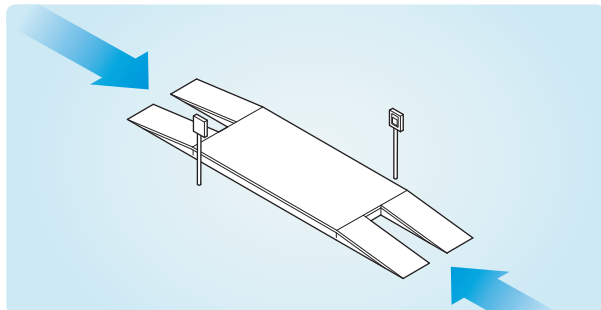
# AT 06

The vehicle weighing system based on card readers



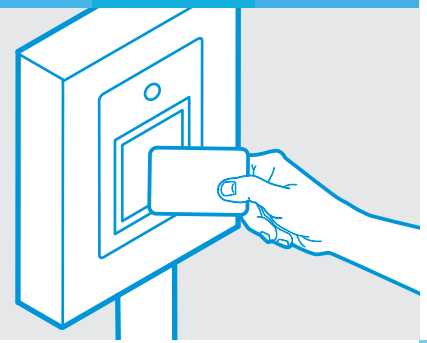
## → System AT-06 operating procedure:

1. If driver has no card entitling him to capture weight (e.g. vehicle will be weighed for the first time) he proceeds to a scale attendant's office to get registered into a system. After registering he receives a card and moves towards the scale.
2. Vehicle enters the scale and driver swipes card in front of RF reader. After positive card verification, the weighing begins.
3. When a measurement is stable, weight result is saved to a database and the light flashes green on the main reader screen - this is when driver may leave the scale.
4. After loading and unloading, vehicle returns to a truck scale and the weighing process is repeated in reverse direction.



# AT 06

The vehicle weighing system based on card readers











## → System AT-06 includes:

- 2 external proximity card readers in a plastic casing
- Steering module in a metal casing
- Software
- Proximity card readers (on a desk) – USB connector
- 20 proximity cards

**i** System AT-06 turns out to be particularly useful among enterprises their own carriers (e.g.farms ).

## → Additional features:

-  Taking photos while recording the weight result
-  Industrial printer with the cut-off
-  Vehicle position adjustment mechanism
-  Possibility to steer traffic control signals and barrier gates
-  Vehicle weight recognition module
-  Online data access
-  Network (e.g. connecting entrance and exit scale)
-  System customization available on request